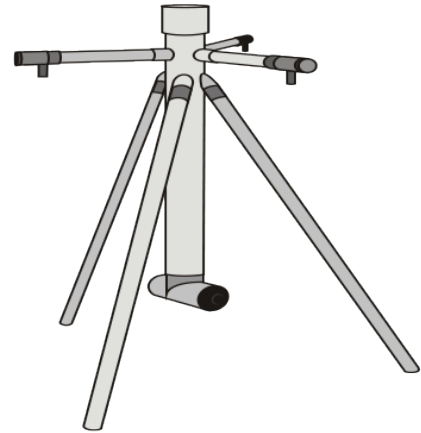


Tap Station 3 taps

TPS3

Tap station with three self-closing taps. The station is easy to set up. High capacity, able to distribute water to a large number of people.



Product description:

Material:	Galvanized steel pipes
Parts & accessories:	3 x legs $\frac{3}{4}$ inch, 3 x distribution pipes $\frac{3}{4}$ inch, rising pipe $1\frac{1}{2}$ inch, distribution center, 3 taps, inlet connector, tools and fittings for assembling
Weight:	15 kg
Inlet/outlet:	2" Guillemin couplings
Install and maintain:	Instructions included
Packing:	4 pcs in wooden crate 80x120x20 cm. 75 kg
Storage:	To be stored dry and shielded from rain and water
Options:	Other couplings such as Storz and Camlock can replace Guillemin

PVC Products is a one-stop supplier with more than 20 years experience within deliveries, implementation and field training for the aid and relief market.